

Compact Dismantling Joint Installation Procedure

1. Scope

This procedure details the requirements for proper assembly of the Steel Mains Compact Dismantling Joint

2. References

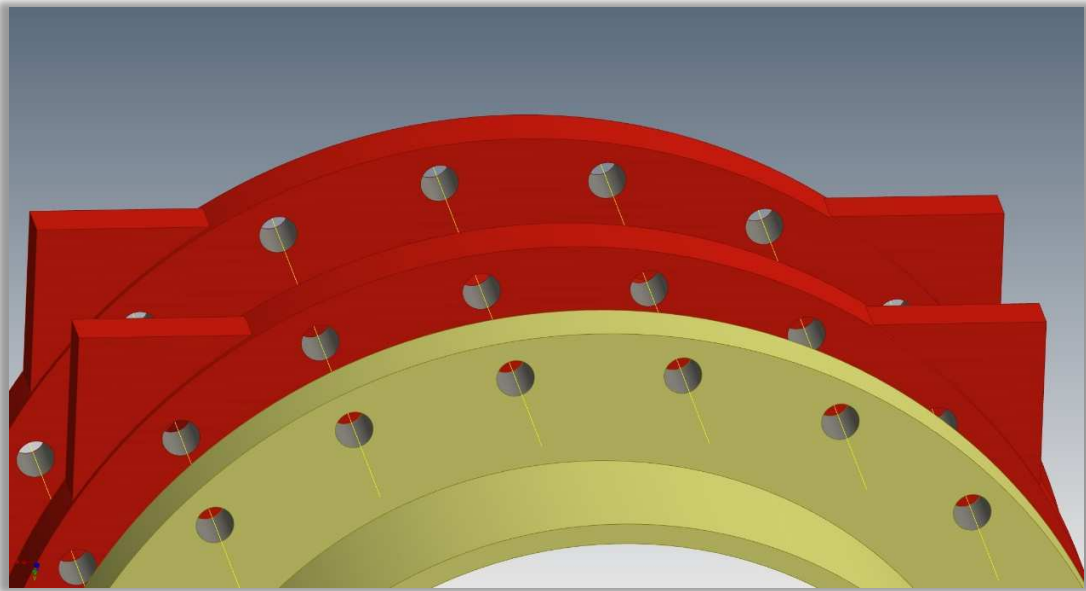
2.1 Steel Mains Compact Dismantling Joint Data Sheet

2.2 Steel Mains Tender Drawing – Series 196

2.3 <https://www.youtube.com/watch?v=y4leUBrFBrw>

3. Assembly Procedure

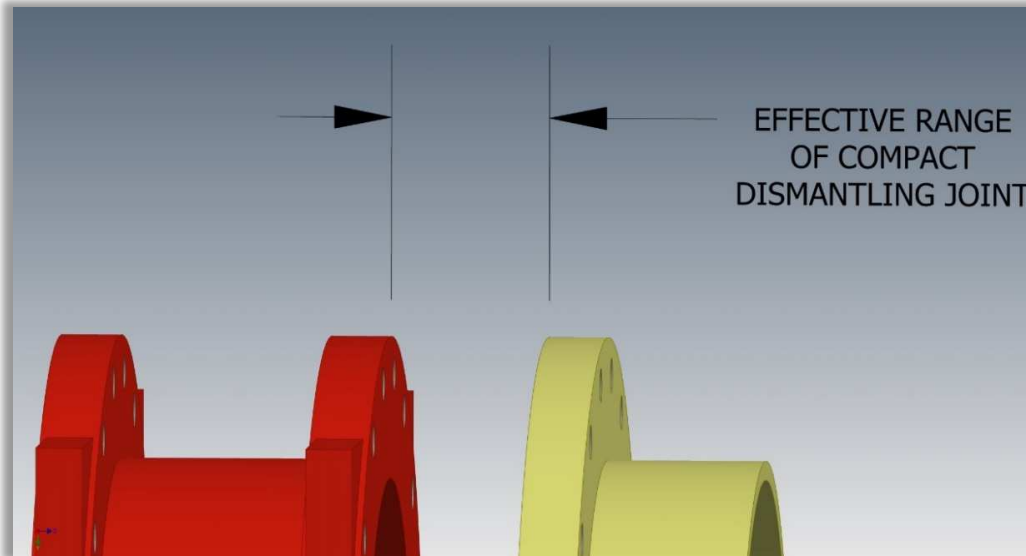
3.1 Make sure that the bolt holes in the valve and the adjacent flange are aligned in the correct orientation. So that the tie bolts can be inserted.



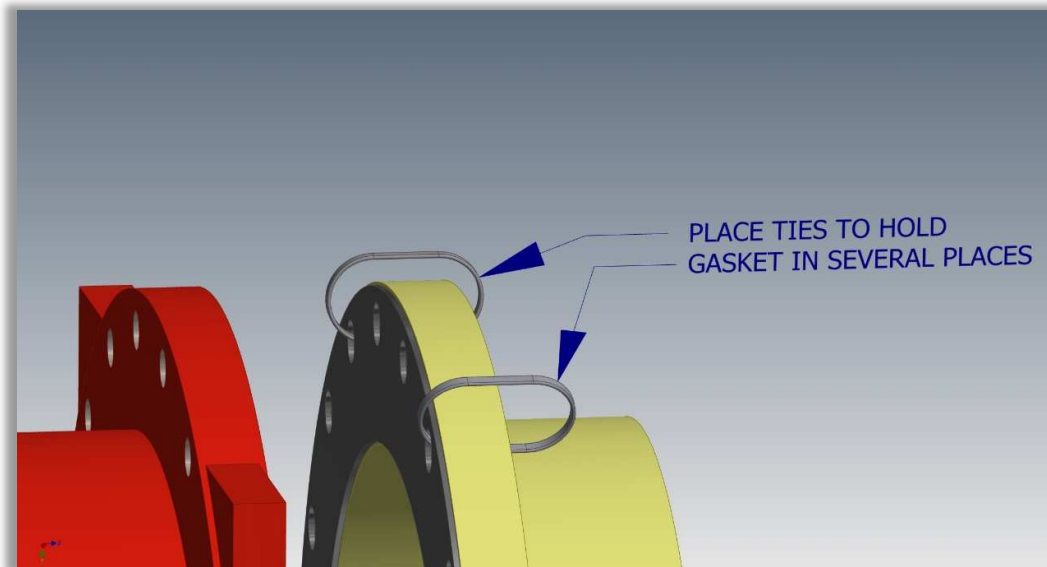
DOCUMENT No.: DP/01/015	ISSUE DATE: 19/5/2020
REVISION No.: 1	APPROVED BY: B. GAWLER

Compact Dismantling Joint Installation Procedure

- 3.2 Ensure that the distance between the flange face and the valve face are within the effective range of the compact dismantling joint.

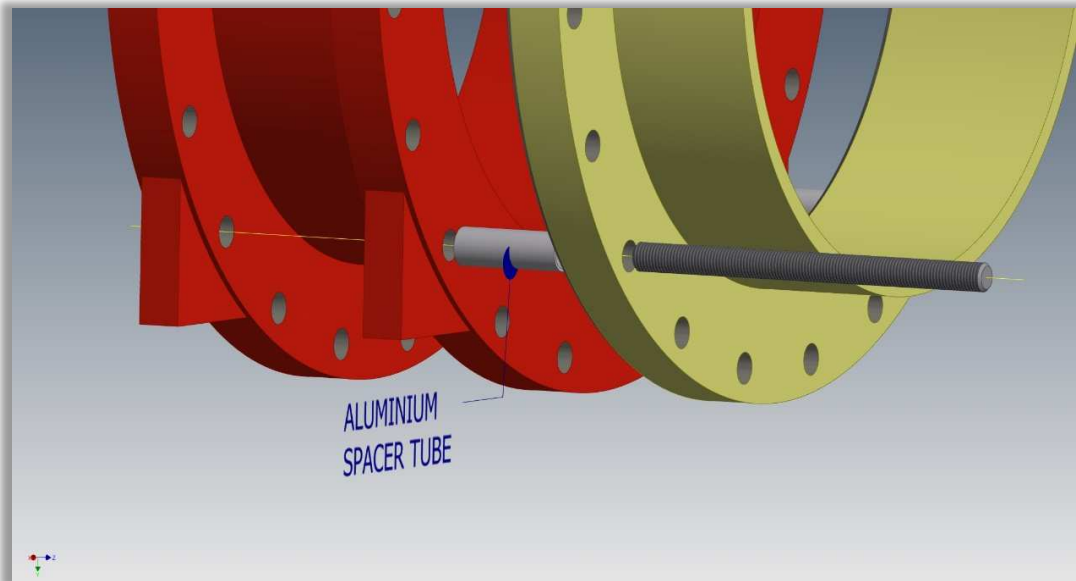


- 3.3 Place the gasket onto the face of the pipe flange and align it to the holes in the flange. Use suitable ties through the holes in the flange and the gasket at 12 o'clock 3 o'clock and 9 o'clock positions to hold it in position.
Note: Place a gasket on the valve flange if required.

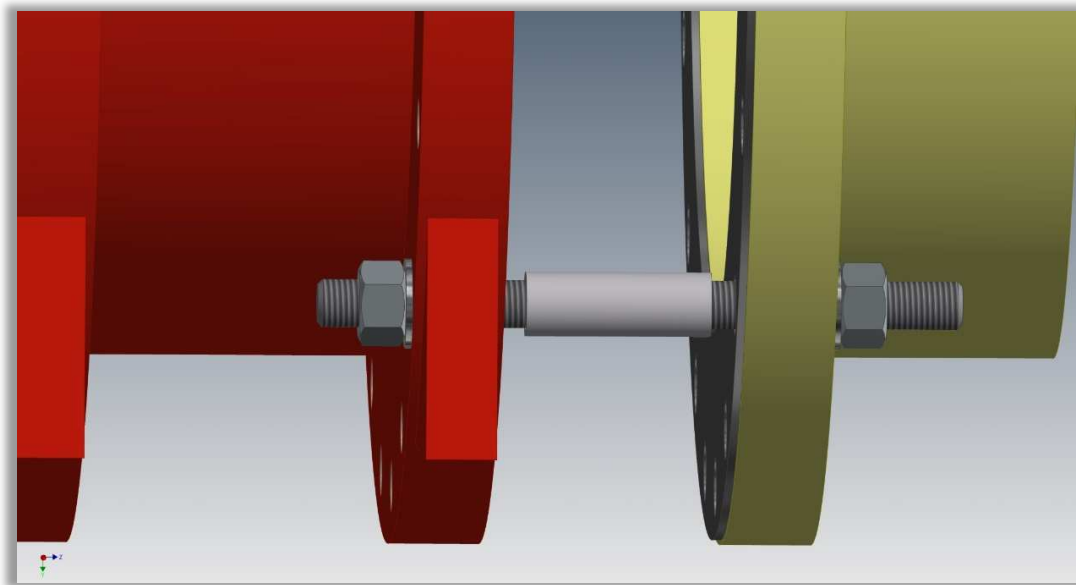


Compact Dismantling Joint Installation Procedure

- 3.4 Place the aluminium spacer tubes between the flange and the valve at the 4 o'clock position and feed the tie bolts through the flange hole and the tube and then through the hole in the valve flange.

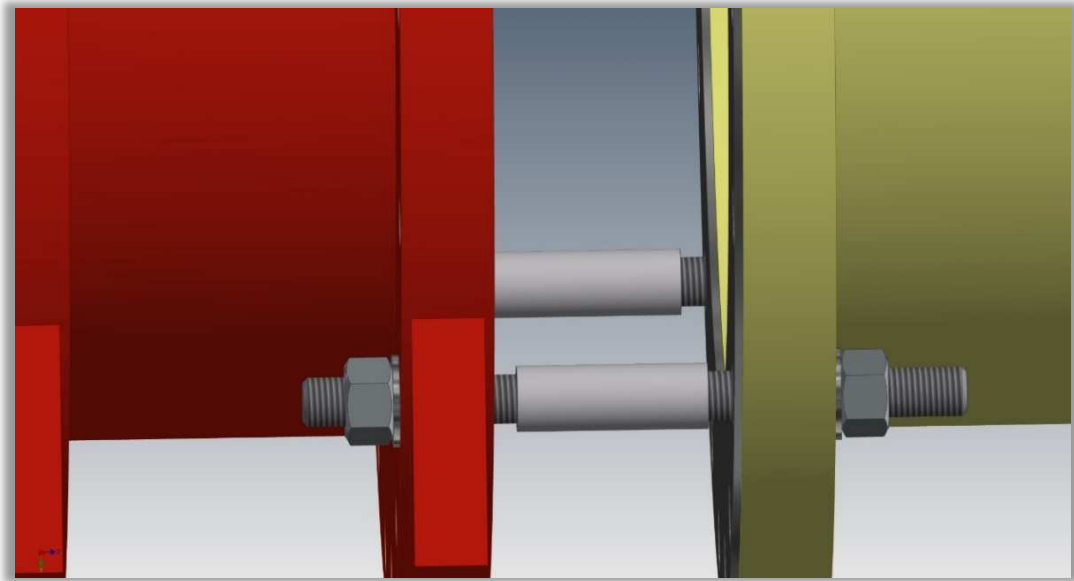


- 3.5 Install a washer and nut on either end of the tie bolt and tighten firmly with a spanner.



Compact Dismantling Joint Installation Procedure

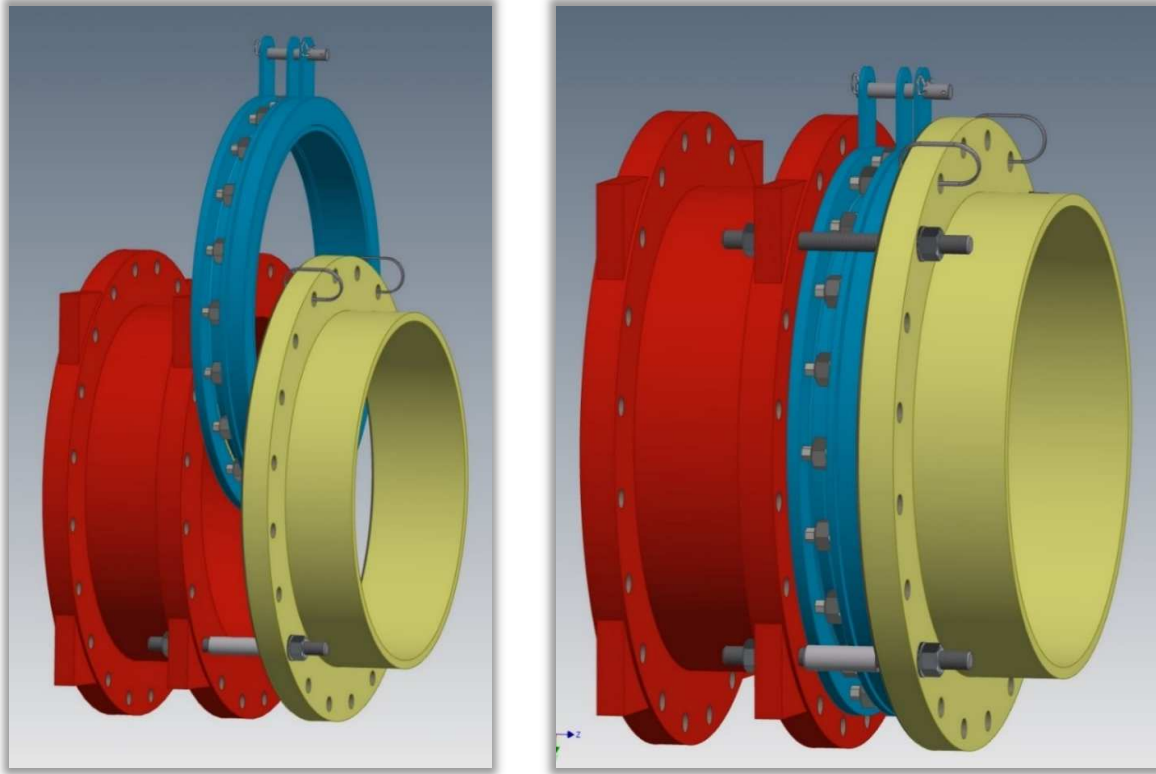
- 3.6 Repeat this procedure at the 8 o'clock position. When both lower spacers and bolts have been installed, they will act as a support for the dismantling joint.



DOCUMENT No.: DP/01/015	ISSUE DATE: 19/5/2020
REVISION No.: 1	APPROVED BY: B. GAWLER

Compact Dismantling Joint Installation Procedure

3.7 Lower the dismantling joint down between the valve and the flange until the two bolts and spacer tubes support it.

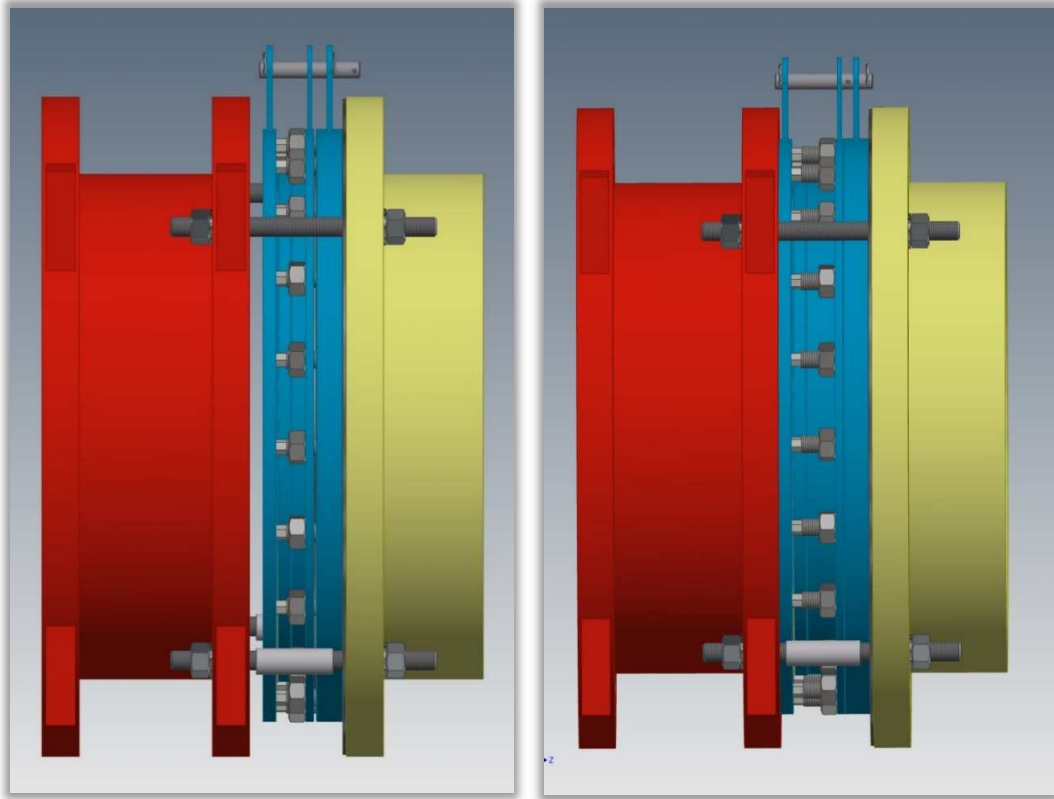


3.8 Insert bolts at the 2 o'clock and 10 o'clock position and fit nuts and washers. The temporary ties used to hold the gasket in place can now be removed

3.9 The ties holding the Dismantling Joint together for transport can also be cut and removed.

DOCUMENT No.: DP/01/015	ISSUE DATE: 19/5/2020
REVISION No.: 1	APPROVED BY: B. GAWLER

Compact Dismantling Joint Installation Procedure

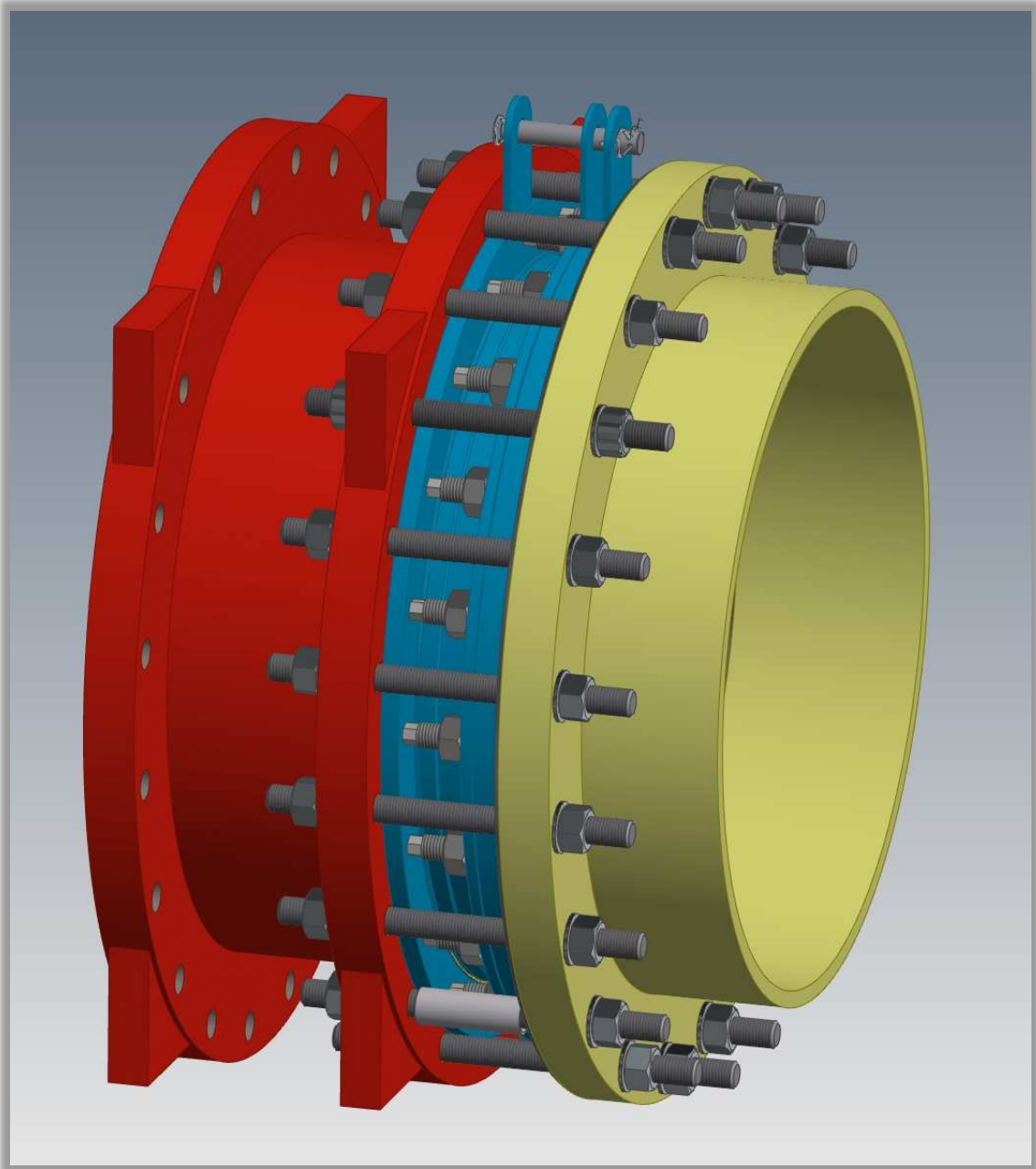


- 3.10 Move the R-Clip on the lifting pin from the inner position to the outer position ready for extending the dismantling joint.
- 3.11 Progressively turn the compression bolts in an anticlockwise direction to expand the Dismantling Joint towards the mating flange. Continue until solid contact is made between the pipe flange and the valve. Use a star pattern when the contact becomes firm. Torque on the compression bolts should be at least 50 Nm and no gap should be evident between the Dismantling Joint and the valve body and the two abutting flanges of the Dismantling Joint itself. This ensures that all the rubber sealing components are sufficiently compressed and there is some compression of the pipe flange gasket.
- 3.12 Install all the remaining tie bolts.

DOCUMENT No.: DP/01/015	ISSUE DATE: 19/5/2020
REVISION No.: 1	APPROVED BY: B. GAWLER

Compact Dismantling Joint Installation Procedure

- 3.13 Tighten the tie bolts using standard flange bolting procedures and the manufacturers recommended torque values for compressed fibre gasket joints.



- 3.14 Test the joint for leaks and tighten flange bolts as required.

DOCUMENT No.: DP/01/015	ISSUE DATE: 19/5/2020
REVISION No.: 1	APPROVED BY: B. GAWLER